

SWE 90 Hydraulic Excavator

BMS

Moerdijk, Holland
Tel.: +31 (0) 182 68 68 10
Fax: +31 (0) 182 68 66 61
infobms@planet.nl
www.bms-sunward.nl



FIRST CLASS EXCAVATOR



DEALER:

SWE 90 Hydraulic Excavator



Moerdijk, Holland
 Tel.: +31 (0) 182 68 68 10
 Fax: +31 (0) 182 68 66 61
 infobms@planet.nl
 www.bms-sunward.nl

MAIN DATA

Operating Weight	8500 / 9000 kg
Standard bucket capacity	0.28 m ³
Height / width / length	2660 / 2425 / 5920 mm
Bucket digging force	47.7 kN
Dipper digging force	42.2 kN
Max. traction force	68 kN
Swing angle	55° (RH) 75° (LH)

UNDERCARRIAGE & SWING

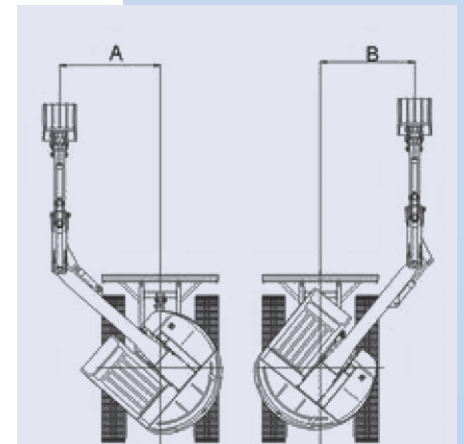
Travelling speed	5.23 / 2.67 km/h
Max. gradeability	35°
Ground pressure	30.8 kPa
Swing speed	11.5 rpm

ENGINE

Model	Yanmar
Type	4-stroke water cooled
Number of cylinder	4
Max. power/rpm	60 kW / 2200 rpm
Piston displacement	3.3 L
Fuel tank	120L

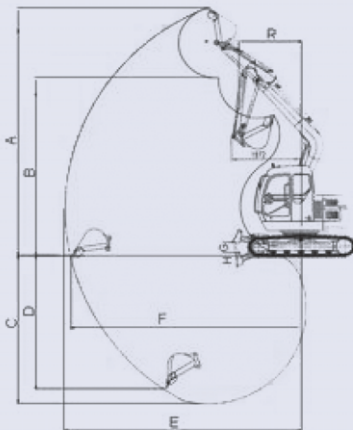
UNDERCARRIAGE & SWING

Main pump	1 variable Piston gear pump
Working pressure	26.5 MPa
Pilot oil pressure	3.5 MPa
Flow	160 L/min
Hydraulic oil tank	105 L



SWING DISTANCE

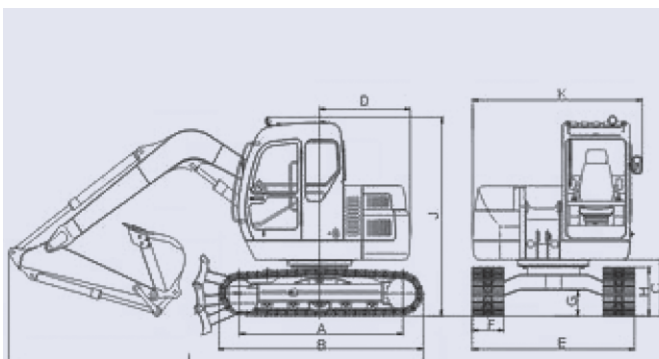
A	Left	520
B	Right	400



WORKING RANGE

SWE90

A	Max. digging height	7225 mm
B	Max. dumping height	5154 mm
C	Max. digging depth	4120 mm
D	Max. vertical digging depth	3520 mm
E	Max. digging radius	6430 mm
F	Max. reach at ground level	6260 mm
G	Max. raising height from ground	410 mm
H	Max. lowering depth from ground	280 mm
R	Min. front turning radius	2010 mm
	Blade width & height	2320 x 410 mm



WORKING RANGE

SWE90

A	Overall width	2340 mm
B	Shoe length	2920 mm
C	Ground clearance platform	760 mm
D	Platform slewing radius	1225 mm
E	Max. overall width	2320 mm
F	Shoe width	450 mm
G	Min. ground clearance	350 mm
H	Max. ground clearance of crawler	650 mm
I	Overall length	5950 mm
J	Overall height	2660 mm
K	Max. upperstructure width	2320 mm