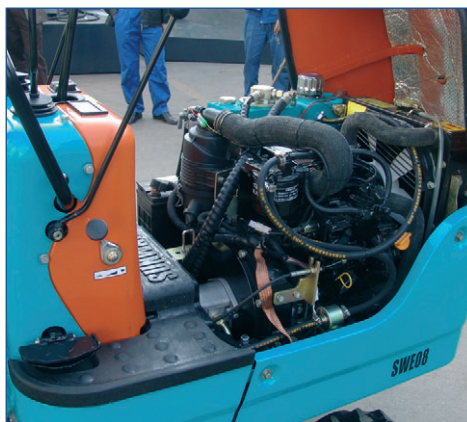


SWE 08 Mini Excavator

BMS

Moerdijk, Holland
Tel.: +31 (0) 182 68 68 10
Fax: +31 (0) 182 68 66 61
infobms@planet.nl
www.bms-sunward.nl



FIRST CLASS EXCAVATOR



DEALER:

SWE 08 Mini Excavator



Moerdijk, Holland
 Tel.: +31 (0) 182 68 68 10
 Fax: +31 (0) 182 68 66 61
 infobms@planet.nl
 www.bms-sunward.nl

MAIN DATA

Operating Weight	880 kg
Standard bucket capacity	0.022 m ³
Height / width / length	1525 / 700 / 2675 mm
Bucket digging force	8.5 kN
Dipper digging force	5.8 kN
Swing angle	53° (RH) 78° (LH)

UNDERCARRIAGE & SWING

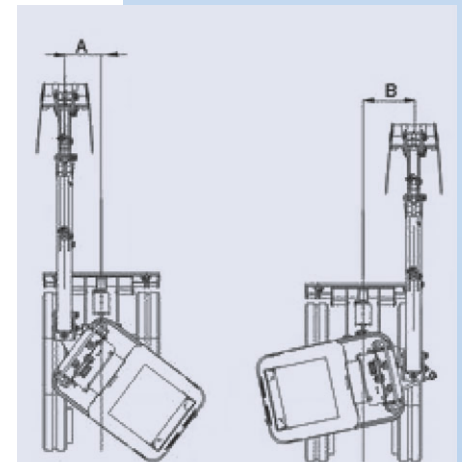
Travelling speed	3.6 / 1.8 km/h
Max. gradeability	30°
Ground pressure	24.5 kPa
Swing speed	9.9 rpm

ENGINE

Model	Yanmar 2TNV70
Type	2-cycle water cooled direct injection
Displacement	0.57 L
Max. power/rpm	7.2 kW / 2400 rpm
Fuel tank	10 L

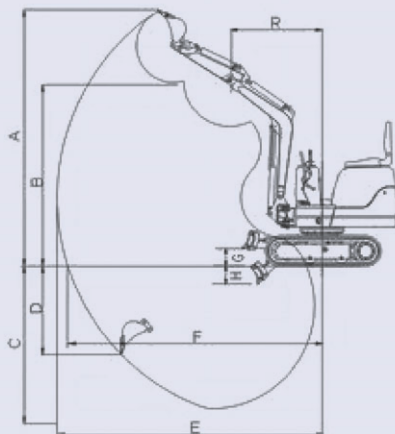
UNDERCARRIAGE & SWING

Main pump	2 Gear pump
Flow	21.6 L/min
Working pressure	15.7 / 12.3 MPa
Hydraulic oil tank	10 L



SWING DISTANCE

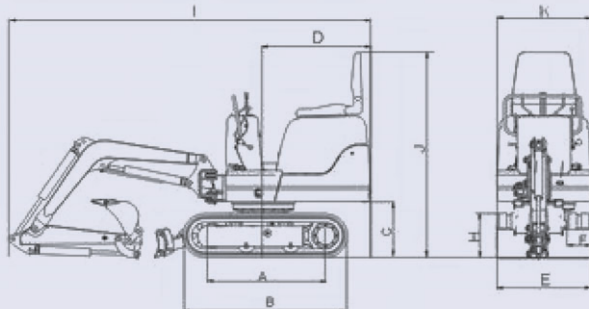
A Left	280
B Right	390



WORKING RANGE

SWE08

A	Max. digging height	2690 mm
B	Max. dumping height	1965 mm
C	Max. digging depth	1510 mm
D	Max. vertical digging depth	141 mm
E	Max. digging radius	2800 mm
F	Max. reach at ground level	2684 mm
G	Max. raising height from ground	190 mm
H	Max. lowering depth from ground	190 mm
R	Min. front turning radius	1090 mm
	Blade width & height	700 / 180 mm



WORKING RANGE

SWE08

A	Overall width	520 mm
B	Shoe length	1224 mm
C	Ground clearance platform	417 mm
D	Platform slewing radius	790 mm
E	Max. overall width	700 mm
F	Shoe width	180 mm
G	Min. ground clearance	141 mm
H	Max. ground clearance of crawler	330 mm
I	Overall length	2675 mm
J	Overall height	1525 mm
K	Max. upperstructure width	700 mm