

# SWE 78LS Mini Excavator

# BMS

Moerdijk, Holland  
Tel.: +31 (0) 182 68 68 10  
Fax: +31 (0) 182 68 66 61  
infobms@planet.nl  
www.bms-sunward.nl



FIRST CLASS EXCAVATOR



DEALER:

# SWE 78LS Hydraulic Excavator



Moerdijk, Holland  
 Tel.: +31 (0) 182 68 68 10  
 Fax: +31 (0) 182 68 66 61  
 infobms@planet.nl  
 www.bms-sunward.nl

## MAIN DATA

Operating Weight	7650 kg
Standard bucket capacity	0.28 m <sup>3</sup>
Height / width / length	2622 / 2150 / 6497 mm
Bucket digging force	51 kN
Dipper digging force	39.2 kN
Max. traction force	55 kN
Swing angle	55° (RH) 75° (LH)

## UNDERCARRIAGE & SWING

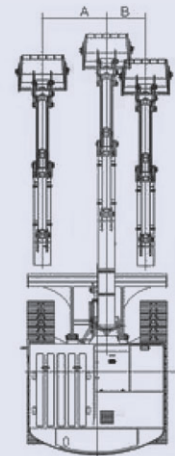
Travelling speed	5.0 / 3.2 km/h
Max. gradeability	35°
Swing speed	10 rpm

## ENGINE

Model	Yanmar TNV98-SSU
Type	4-stroke water cooled
Number of cylinder	4
Max. power/rpm	46.3 kW / 2200 rpm
Piston displacement	3.32 L
Fuel tank	118L

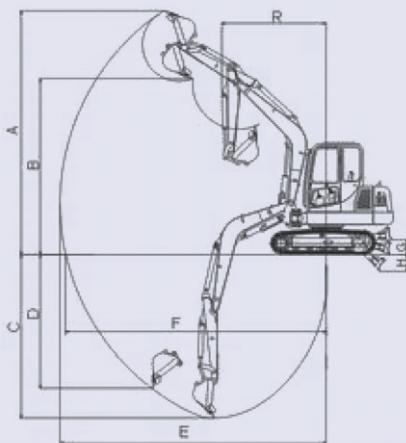
## UNDERCARRIAGE & SWING

Main pump	1 variable pump
Working pressure	30 MPa
Pilot oil pressure	3.5 MPa
Flow	147L/min
Hydraulic oil tank	105 L



## SWING DISTANCE

A Left	840
B Right	696



## WORKING RANGE

## SWE78LS

A Max. digging height	6904 mm
B Max. dumping height	4930 mm
C Max. digging depth	4250 mm
D Max. vertical digging depth	3420 mm
E Max. digging radius	7070 mm
F Max. reach at ground level	6950 mm
G Max. raising height from ground	450 mm
H Max. lowering depth from ground	415 mm
R Min. front turning radius	2230 mm
Blade width & height	2160 / 454 mm

## WORKING RANGE

## SWE78LS

A Overall width	2200 mm
B Shoe length	2780 mm
C Ground clearance platform	745 mm
D Platform slewing radius	1590 mm
E Max. overall width	2150 mm
F Shoe width	450 mm
G Min. ground clearance	345 mm
H Max. ground clearance of crawler	638 mm
I Overall length	6497 mm
J Overall height	2622 mm
K Max. upperstructure width	2150 mm

